

### MSSLite Embedded Device Server

The Lantronix® MSSLite Device Server is a board-level product that allows OEM customers to integrate Lantronix's MSS network-enabling technology into their designs. The MSSLite is designed on a compact (3.3 x 2.3 x .4 inch / 8.38 x 5.84 x 1.0 cm) board with convenient header options for serial connections, external/internal and regulated/unregulated power options, and mounting options for the Ethernet interface.

- Easily network-enable any product
- Flexible, well-developed IP protocol stack
- Custom hardware options available
- DB25 and IDC header serial options
- 10BASE-T network interface
- Regulated or unregulated power options
- Serial, Telnet, SNMP and EZWebCon, Lantronix's management software
- Flash ROM for easy software upgrades



**Protocols Supported**

ARP, UDP, TCP, SNMP, TFTP, DHCP, Telnet

**Network Interface**

RJ45 (10BASE-T) Ethernet

**Serial Interface**

DB25 (Dual Port) DTE (Version A)  
 DB25 (Single Port) DTE (Version B)  
 IDC10 (Dual Port) DCE/DTE (Version C)

**Data Rates**

300bps to 38.4Kbps

**Flow Controls**

XON/XOFF  
 RTS/CTS  
 None

**Modem Controls**

RTS, CTS, DSR, DTR, CD (Version A and B)  
 RTS, CTS, DSR, DTR, CD (Version C, DCE)  
 RTS, CTS, DSR, DTR (Version C, DTE)

**Serial Line Formats**

Characters: 7 or 8 data bits  
 Stop bits: 1 or 2  
 Parity: odd, even, none

**Management**

SNMP  
 Serial Login  
 Telnet Login  
 EZWebCon, Lantronix's management software

**System Software**

Flash ROM standard: downloadable via tftp or over serial port

**Diagnostic LEDs**

Power (Versions A and B)  
 Activity  
 Link

**Compatibility**

Ethernet: Version 2.0/IEEE 802.3

**Power Requirements**

6-32VDC Unregulated (Versions A and C)  
 4.75 - 5.25 VDC Regulated (Version B)

**Environmental**

Operating Temperature 5 to 50C (41 to 122F)  
 Storage Temperature -40 to 66C (-40 to 151F)

**Physical Dimensions (H x W x D)**

3.3 in x 2.3 in x .4 in (8.38 x 5.84 x 1.0cm)

**Ordering Information**

Contact Lantronix OEM Sales

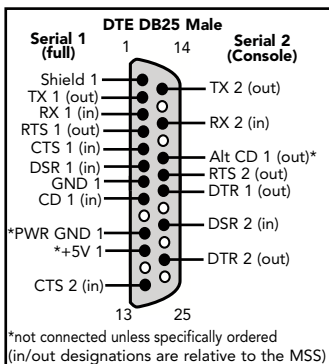
*Corporate Offices*  
 15353 Barranca Parkway  
 Irvine, CA 92618, USA  
 949 453 3990  
 949 453 3995 fax  
 www.lantronix.com

*Automation Headquarters*  
 44 Merrimac Street  
 Newburyport, MA 01950, USA  
 978 499 8910  
 978 499 8911 fax  
 http://automation.lantronix.com

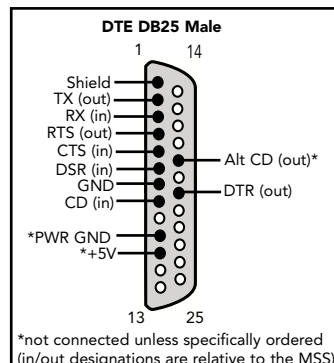
MSSLite Models At-A-Glance	MSSLite-A	MSSLite-B	MSSLite-C
Normal Full Serial Ports	1	1	1
Dedicated Console Ports	1	0	1
Connectors I/O	2 x DB25	1 x DB25	2 x IDC10
Voltage Input	6-32 V DC	4.75-5.25 V DC	6-32 V DC
Voltage Input via Serial Port	4.75-5.25 V DC	4.75-5.25 V DC	4.75-5.25 V DC
LED	PWR, ACT, LNK	PWR, ACT, LNK	ACT, LNK
Real-time Clock	Yes	No	No

**Connector Definitions**

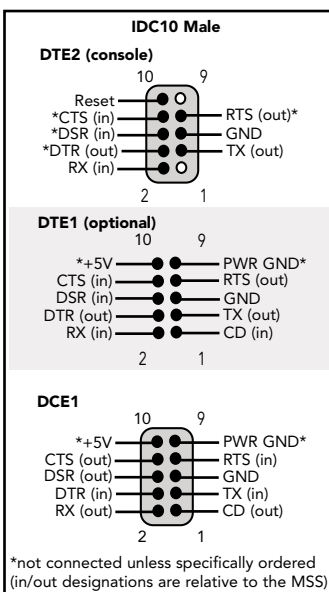
**DB25D Serial Connector Pinout double (Version A)**



**DB25S Serial Port Pinout single (Version B)**



**IDC10 Header Pinout (Version C)**



*Europe, Middle East & Africa*  
 Minervum 1707  
 4817 ZK Breda  
 The Netherlands  
 +31 (0) 76 565 8176  
 +31 (0) 76 565 8179 fax  
 eu\_sales@lantronix.com

*France*  
 +33 (0) 139 30 41 74  
 +33 (0) 139 30 41 73 fax  
 eu\_sales@lantronix.com

*Germany*  
 +49 (0) 7720 3016 20  
 +49 (0) 7720 3016 88 fax  
 eu\_sales@lantronix.com

*Latin America & Caribbean*  
 949-450-7227  
 949-450-7231 fax  
 la\_sales@lantronix.com

*Pacific Rim*  
 46 East Coast Road  
 East Gate #10-01  
 Singapore 428766  
 +65 447 4222  
 +65 344 0614 fax  
 asiapacsales@lantronix.com

*Spain & Portugal*  
 +34 (0) 91760 0846  
 +34 (0) 91760 0846 fax  
 eu\_sales@lantronix.com

*United Kingdom & Ireland*  
 +44 (0) 118 945 1555  
 +44 (0) 118 945 1633 fax  
 eu\_sales@lantronix.com

*United States & Canada*  
 800-422-7055 (Commercial)  
 800-422-7022 (DEM)  
 sales@lantronix.com

**Specifications**

